



Professional Audio

## Equipment List

4 units C8C  
2 units LM-212  
2 units TP-118

### Speaker Cabinet

4 units C8C  
2 units LM-212  
2 units TP-118

### Amplification (Processor)

1 unit 2 in-4 out processor

### (HF Amp)

1 unit 350w x2 /4 ohm amp

### (MF Amp)

1 unit 1000~1500w x2 /4 ohm amp

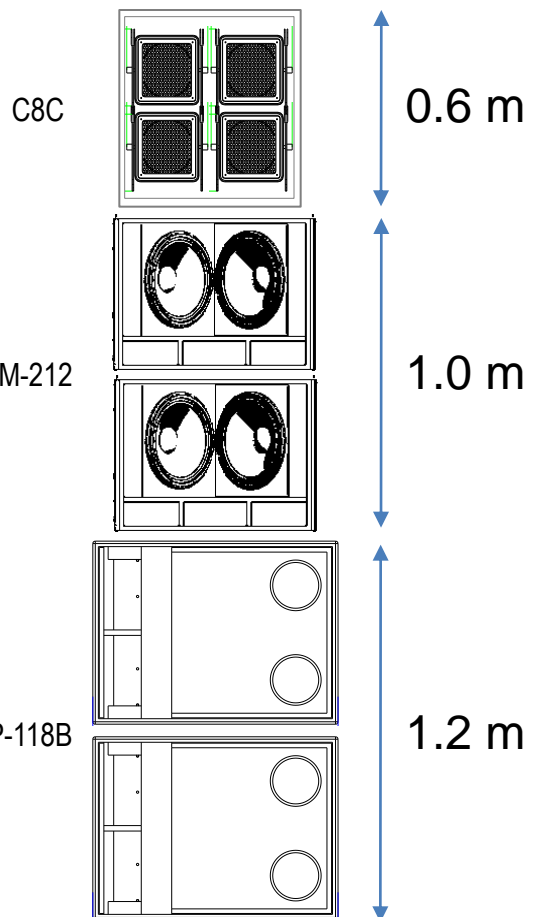
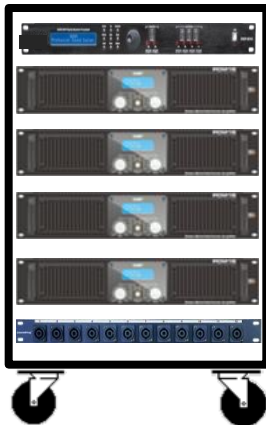
### (LM Amp)

1 unit 1000~1500W x2 /4 ohm amp

### (Sub Amp)

1 unit 1200~1500w x2 /8 ohm amp

### 18U Amp Rack

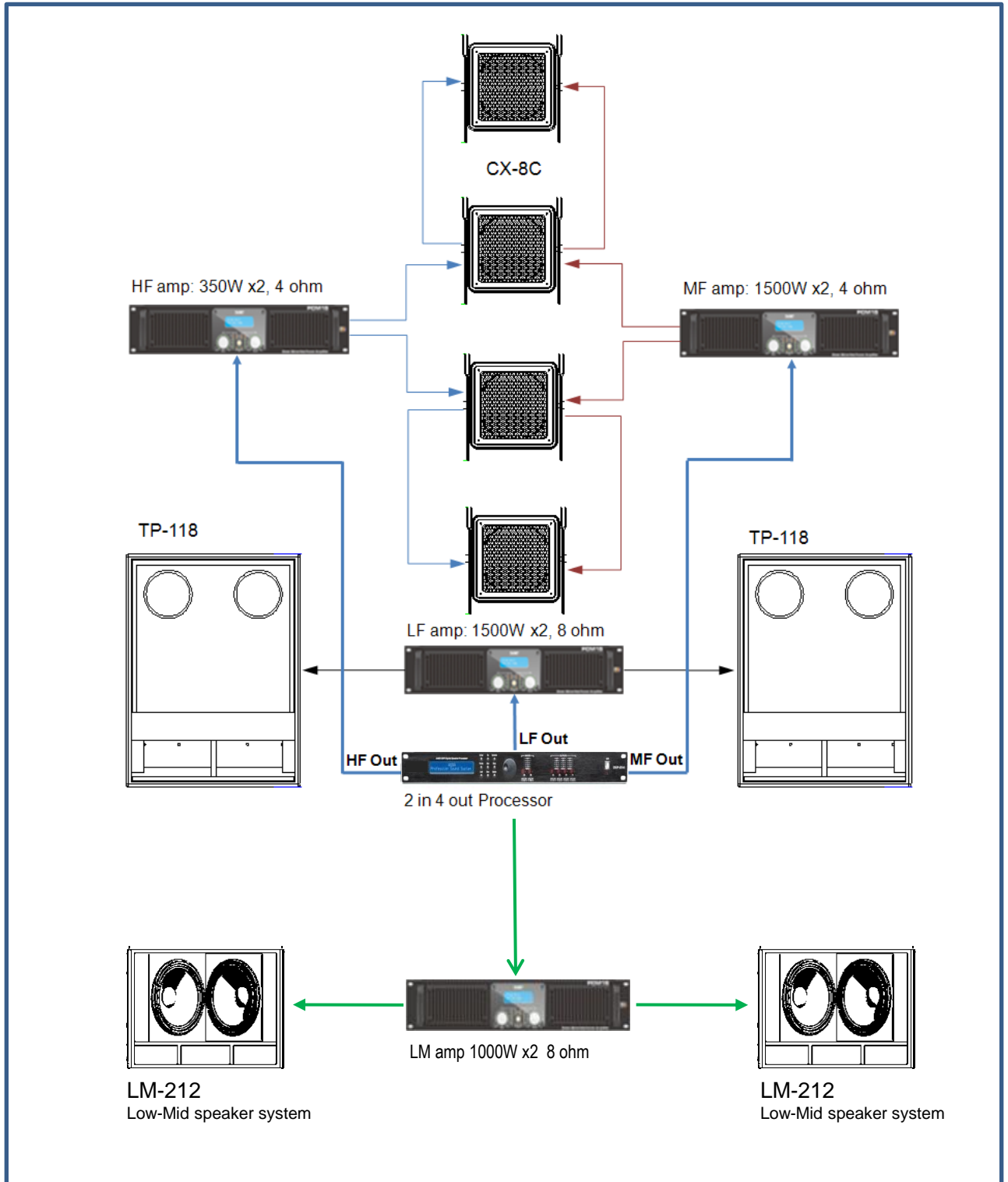




Professional Audio

# System Schematic

4 units C8C  
2 units LM-212  
2 units TP-118





# Professional Audio

4 units C8C  
2 units LM-212  
2 units TP-118

## Cabling/ Amplification Requirements

### Speaker Cables

**(LF & HF: CX-8C ) 8in coaxial**

2 pcs 5m length 4 core speaker cable

2 pcs 0.35m length 4 core link speaker cable

Pin: Full range- 1+/1-, Bi-amp: LF- 1+/1-, HF- 2+/2-

**(LM: LM-212) Dual 12in low mid**

1 pc 3m length 4 core speaker cable

Pin: 1+/1-, 2+/2- : NC

**(Sub: TP-118) Single 18in sub**

1 pc 3m length 4 core speaker cable

Pin: 1+/1-, 2+/2- : NC

### Amplification

**(HF Amp)**

1 unit 350w x2 /4 ohm amp

**(MF Amp)**

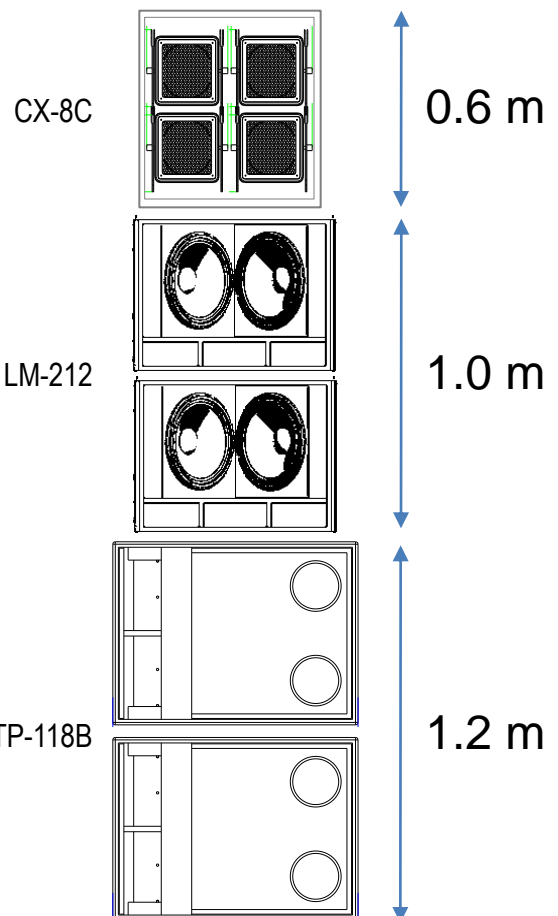
1 unit 1000~1500w x2 /4 ohm amp

**(LM Amp)**

1 unit 1000~1500W x2 /4 ohm amp

**(Sub Amp)**

1 unit 1200~1500w x2 /8 ohm amp



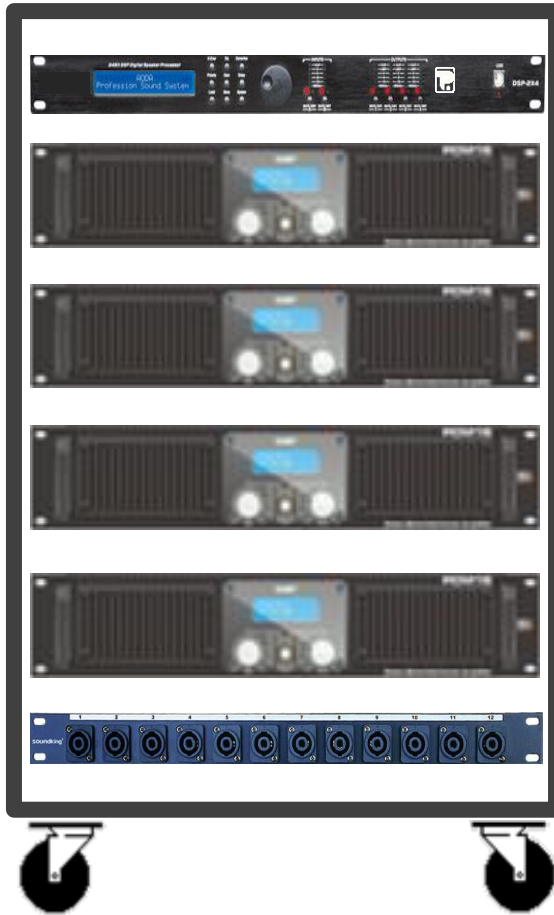


Professional Audio

# Amp Rack Layout

- 4 units C8C
- 2 units LM-212
- 2 units TP-118

## 18U Amp Rack



2in-4out processor

HF Amp TP350

MF Amp TP1000

LM Amp TP1200

Sub Amp TP1200

Speaker out

## Speaker Out Panel Layout



Sub 1 Sub 2 LM 1 LM 2 LF 1 LF 2 MF 1 MF 2 HF 1 HF 2



# Professional Audio

## System Configuration Response Curves

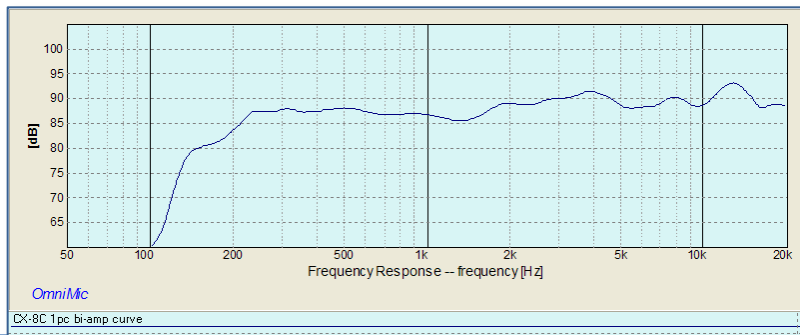
( measurements with processor )

### Frequency Dividing

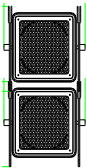
High- HPF: 2kHz/ LPF: 18kHz

Low- HPF: 130Hz/ LPF: 2kHz

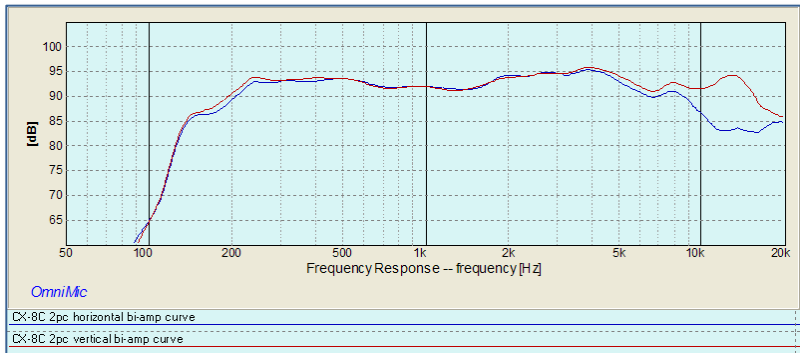
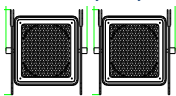
Single Unit



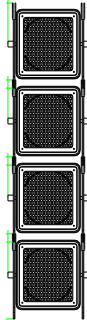
2 Units  
Vertically  
Array



2 Units  
Horizontally  
Array



4 Units  
Vertically  
Array



4 Units  
Cube Array

