

Equipment List

4 units C8C
 2 units LF-212
 2 units TP-118

Speaker Cabinet

4 units C8C/ coaxial full range
 2 units LM-212/ dual 12in Low
 2 units TP-118/ single 18in Sub

Amplification

(Processor)

1 unit 2 in-4 out processor

(HF Amp)

1 unit 350w x2 /4 ohm amp

(MF Amp)

1 unit 1000~1500w x2 /4 ohm amp

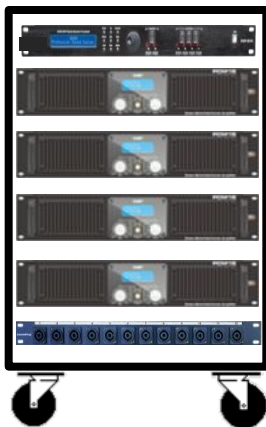
(LF Amp)

1 unit 1000~1500W x2 /4 ohm amp

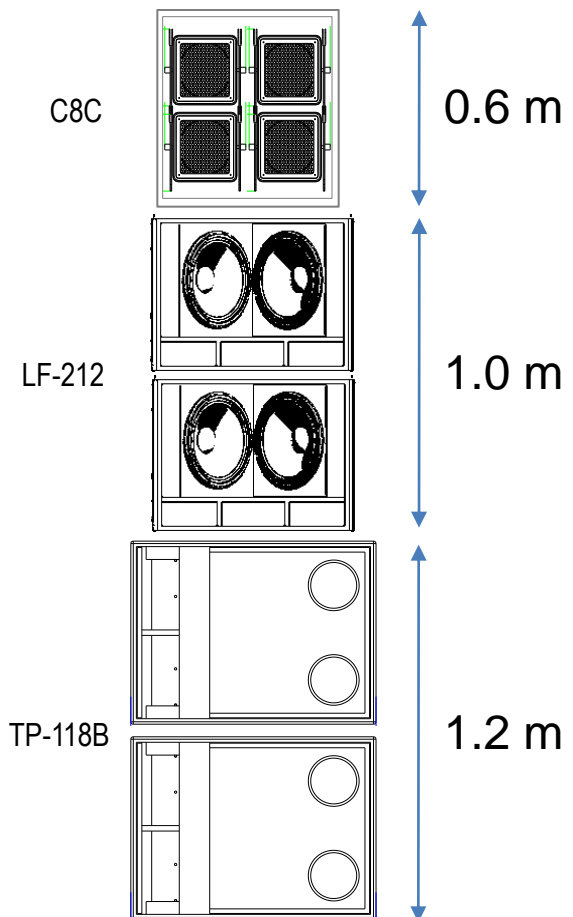
(Sub Amp)

1 unit 1200~1500w x2 /8 ohm amp

18U Amp Rack

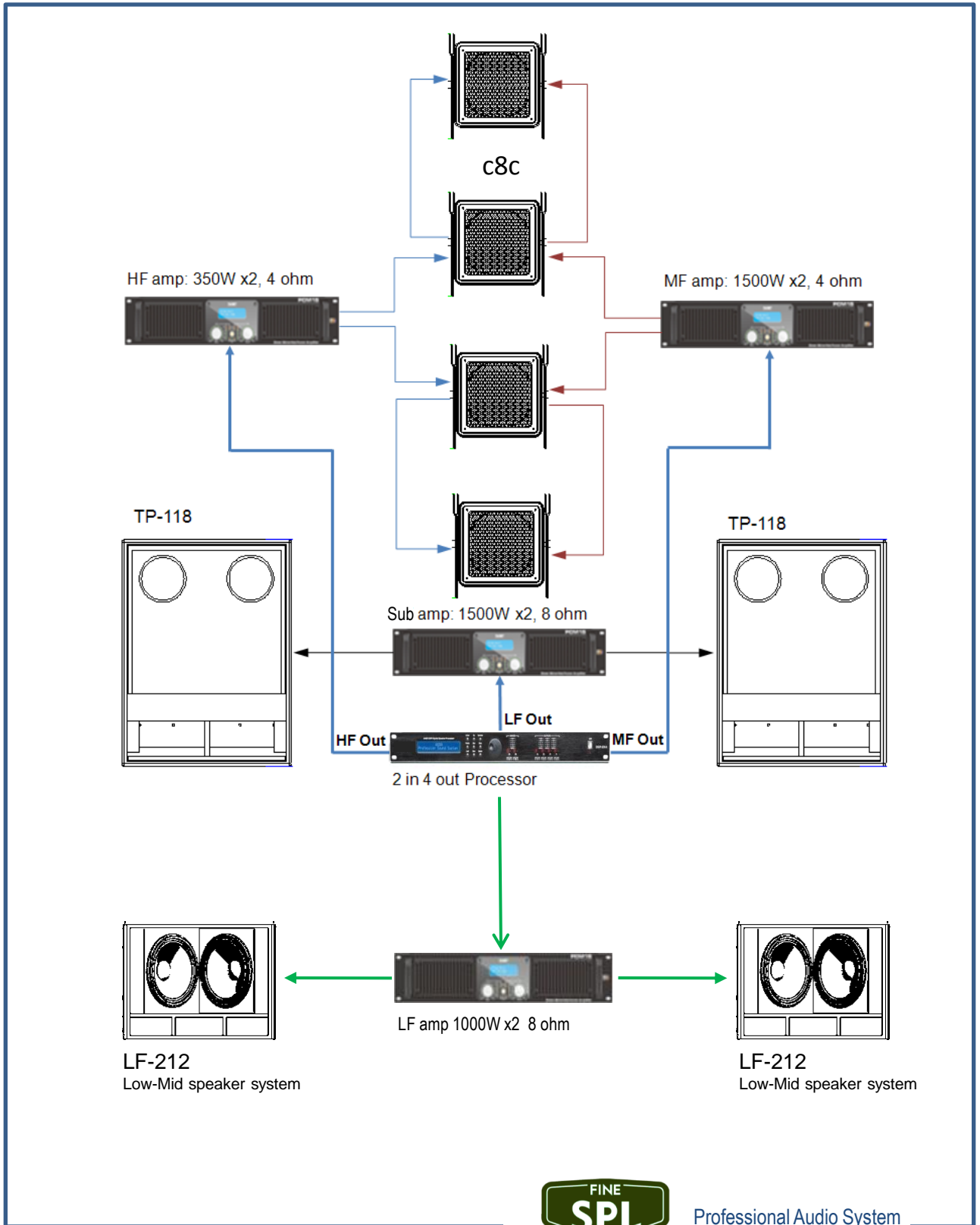


Ground Stack



4 units C8C
2 units LF-212
2 units TP-118

System Schematic



Cabling/ Amplification Requirements

4 units C8C
2 units LF-212
2 units TP-118

Speaker Cables

(MF & HF: C8C) 8in coaxial

2 pcs 5m length 4 core speaker cable
2 pcs 0.35m length 4 core link speaker cable

Pin: Full range- 1+/1-, Bi-amp: LF- 1+/1-, HF- 2+/2-

(LF: LF-212) Dual 12in low mid

1 pc 3m length 4 core speaker cable

Pin: 1+/1-, 2+/2- : NC

(Sub: TP-118) Single 18in sub

1 pc 3m length 4 core speaker cable

Pin: 1+/1-, 2+/2- : NC

Amplification

(HF Amp)

1 unit 350w x2 /4 ohm amp

(MF Amp)

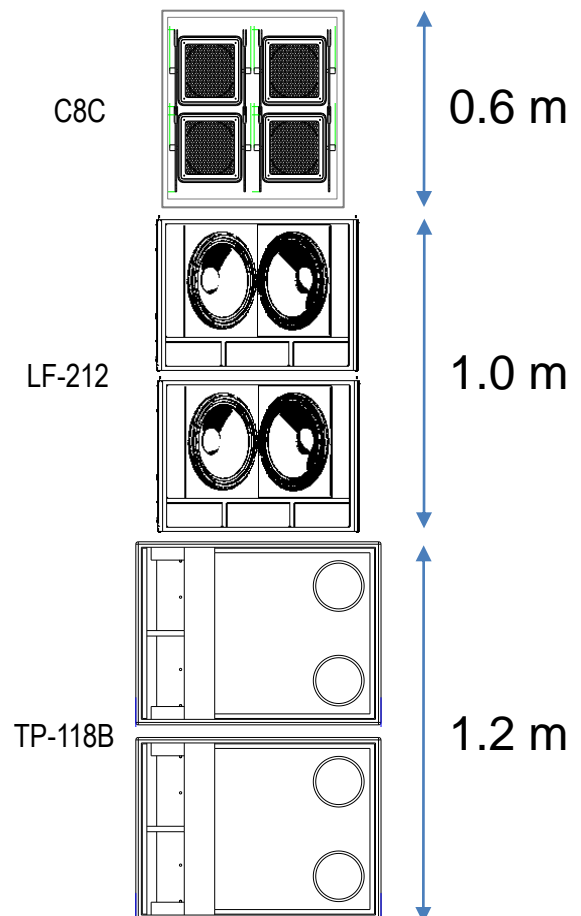
1 unit 1000~1500w x2 /4 ohm amp

(LF Amp)

1 unit 1000~1500W x2 /4 ohm amp

(Sub Amp)

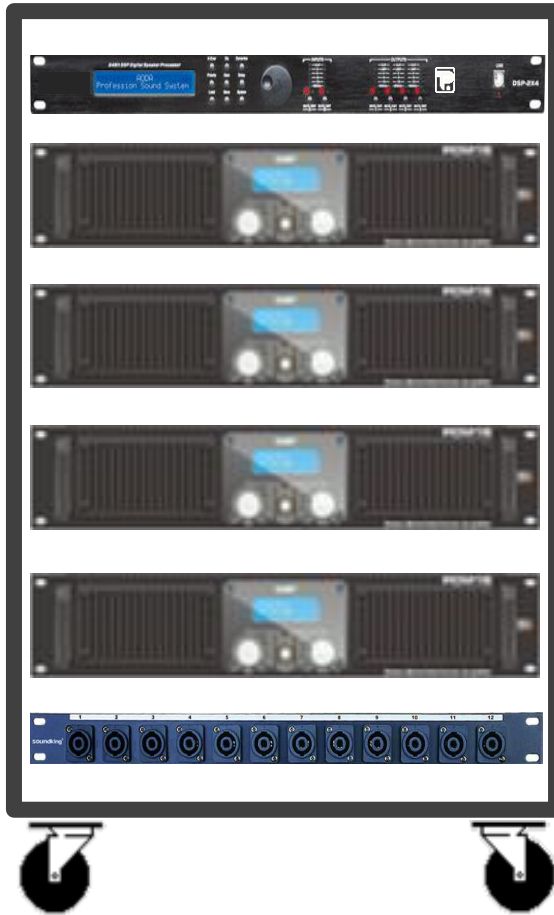
1 unit 1200~1500w x2 /8 ohm amp



Amp Rack Layout

4 units C8C
2 units LM-212
2 units TP-118

18U Amp Rack



2in-4out processor

HF Amp TP350

MF Amp TP1000

LF Amp TP1200

Sub Amp TP1200

Speaker out

Speaker Out Panel Layout



Sub 1 Sub 2 LF 1 LF 2 LF 3 LF 4 MF 1 MF 2 HF 1 HF 2



System Configuration Response Curves

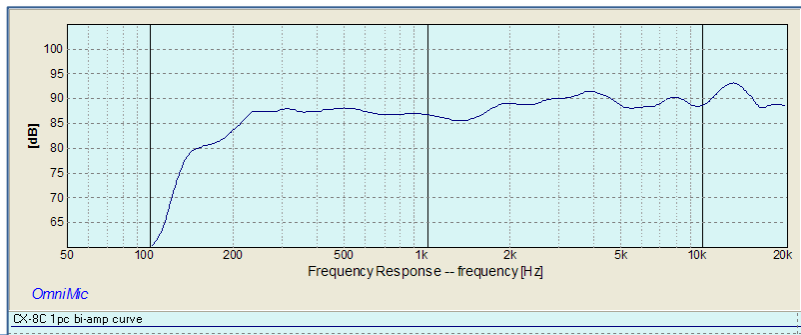
(measurements with processor)

Frequency Dividing

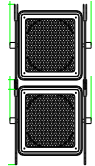
High- HPF: 2kHz/ LPF: 18kHz

Low- HPF: 130Hz/ LPF: 2kHz

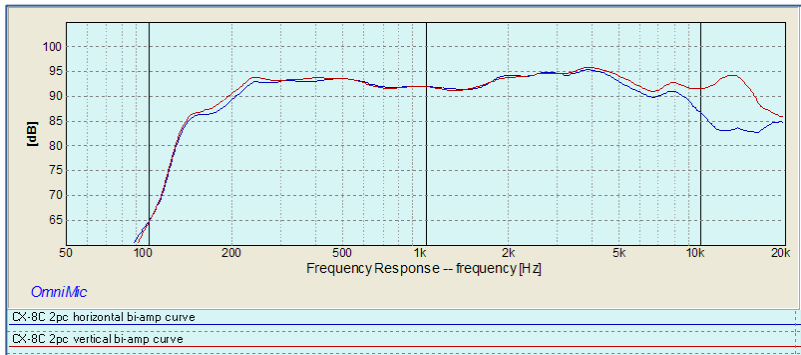
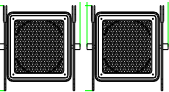
Single Unit



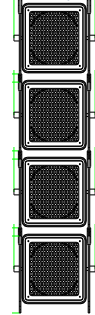
2 Units
Vertically
Array



2 Units
Horizontally Array



4 Units
Vertically
Array



4 Units
Cube Array

